

Hawkeye® 221/321/421

**High Amperage
Split-Core
4-20mA Output
Loop Powered**

The Hawkeye 221/321/421 analog current sensors provide reliable load trending information for large motor loads (up to 2400A) with a proportional 4–20mA signal. Each sensor can be calibrated for maximum resolution using the span potentiometer.

APPLICATIONS

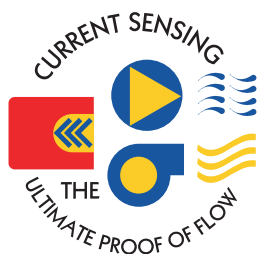
- Load trending of large motors
- Split-core design is ideal for retrofit load trending

Monitor larger motors and other loads up to 2400A

- Split-core design for easy installation
- Eliminates need for external CTs on large conductors
- Large openings for heavy conductors
- Monitor critical motors (compressor, fuel, etc.)

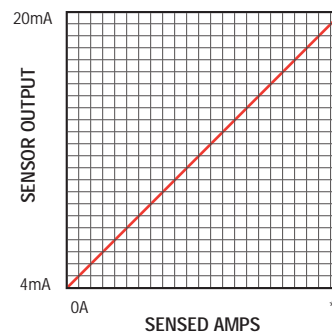
Loop powered 4-20mA output

- Two-wire design reduces wiring cost
- Zero and span adjustment for easy setup & high resolution
- 5 year limited warranty
- Made in USA



Maximize Reliability,
Minimize Installed Cost

H221/321/421 LINEAR OUTPUT
Scale software as shown



*Adjusted with Span Potentiometer
 100 to 300A (H221)
 300 to 800A (H321)
 1000 to 2400A (H421)



IDEAL FOR INDUSTRIAL SIZE LOADS

ORDERING INFORMATION

MODEL	AMPERAGE RANGE		OUTPUT TYPE	UL
	4mA	20mA (SPAN)		
H221	0A	100 to 300A	4-20mA	●
H321	0A	300 to 800A	4-20mA	●
H421	0A	1000 to 2400A	4-20mA	

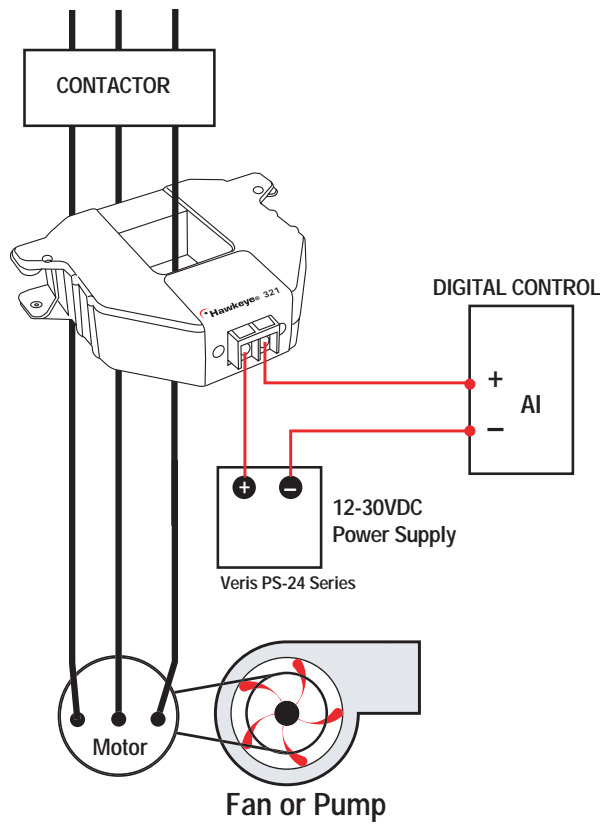


Factory calibration available upon request

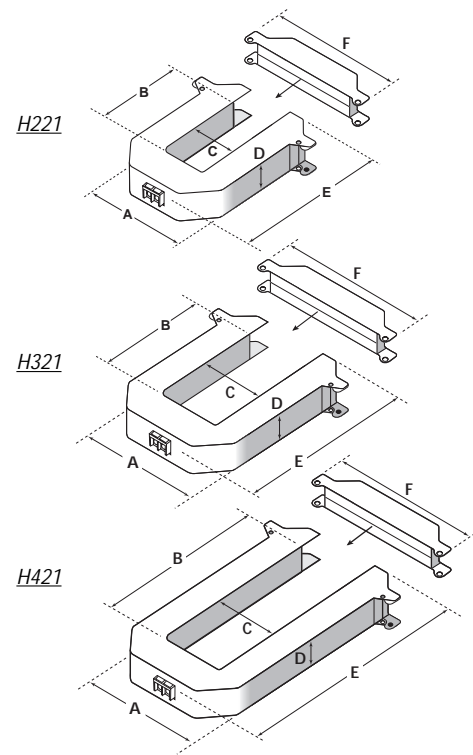
ACCESSORIES

MODEL	DESCRIPTION
PS-24 Series	Universal Power Supply
6800-MBKT	Universal Mounting Bracket Kit

APPLICATIONS/WIRING EXAMPLE



DIMENSIONAL DRAWINGS



H221	H321	H421
A = 3.75" (95 mm)	A = 4.90" (124 mm)	A = 4.90" (124 mm)
B = 1.51" (38 mm)	B = 2.89" (73 mm)	B = 5.50" (140 mm)
C = 1.25" (32 mm)	C = 2.45" (62 mm)	C = 2.45" (62 mm)
D = 1.13" (29 mm)	D = 1.13" (29 mm)	D = 1.13" (29 mm)
E = 4.20" (107 mm)	E = 5.57" (141 mm)	E = 8.13" (207 mm)
F = 4.75" (121 mm)	F = 5.91" (150 mm)	F = 5.92" (150 mm)

SPECIFICATIONS

Amperage Range:	
Model 221	0-300A (potentiometer scalable)
Model 321	0-800A (potentiometer scalable)
Model 421	0-2400A (potentiometer scalable)
Output	4-20mA
Insulation Class	600VAC rms
Frequency Range	60Hz nominal
Temperature Range	-15° to 60°C
Humidity Range	0 - 95% non-condensing
Accuracy	2% full scale (combined linearity, hysteresis & repeatability)
Response Time	2 sec.
Supply Voltage	12 to 30VDC
Supply Current	30mA max.
Zero Adjustment	3.5 to 4.5mA