

# Hawkeye® 720 Solid-Core High Accuracy VFD Compatible 4-20mA Output Current Transducer

46



The Hawkeye 720 features a frequency insensitive polymer core making it the ideal product for monitoring loads controlled by variable frequency drives (VFDs).

## APPLICATIONS

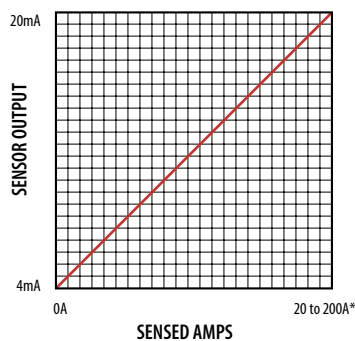
- Load or line side VFD monitoring
- High accuracy load trending
- Perfect for industrial control applications
- Great for monitoring tool wear & feed rates

## Exclusive polymer core is perfect for variable frequency drives (VFDs)

- Superior to Hall-effect & metal core sensors... frequency insensitive 10-80Hz
- Accurate to 0.5% full-scale
- Ideal for load side monitoring of VFDs
- Combines sensor & transducer in an easy to install package
- Adjustable zero & span for precise scaling
- Adjustable mounting bracket for easy placement
- 5-year limited warranty

## H720 LINEAR OUTPUT

Scale software as shown



\*Adjusted with Span Setting



## ORDERING INFORMATION

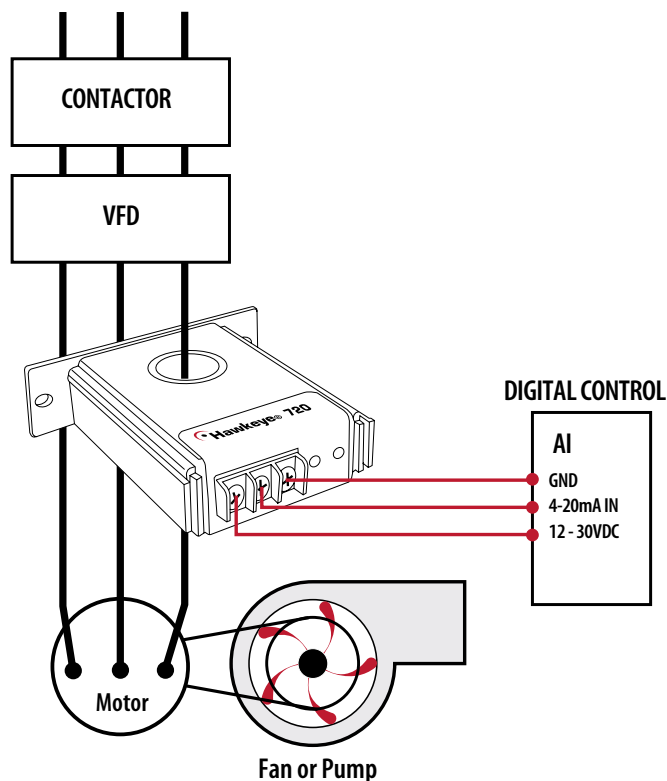
MODEL	AMPERAGE RANGE		OUTPUT TYPE
	4mA	20mA (SPAN)	
H720	0A	20 to 200A	4 - 20mA



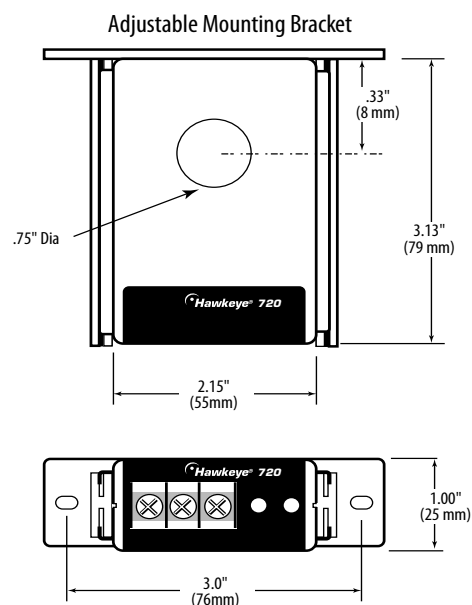
## ACCESSORIES

MODEL	DESCRIPTION
PS-24 Series	Universal Power Supply

## APPLICATIONS/WIRING EXAMPLE



## DIMENSIONAL DRAWINGS



## SPECIFICATIONS

Amperage Range	0 to 200A continuous
Output	4-20mA
Insulation Class	600VAC rms
Frequency Range	10 to 80Hz.
Temperature Range	-15° to 60°C
Humidity Range	0-95% non-condensing
Accuracy	0.5% (combined linearity, hysteresis & repeatability)
Response Time	2 sec.
Sensor Supply Voltage	12 to 30VDC
Supply Current	30mA max.
Zero Adjustment	3.5 to 4.5mA
Span Adjustment	20 to 200A, full scale
Dimensions....(L x W x H)	3.13" x 2.15" x 1.00"
Sensor Hole Size	0.75"