

H805X-KAL1B

Pulse Counting LCD's



A local display right where you need it!

- Simple 2-wire connection
- Can be wired in parallel with an automation system and a Veris meter or direct to a Veris meter

Push button reset included

- Can be secured through simple jumper configuration
- Special controller reset version available

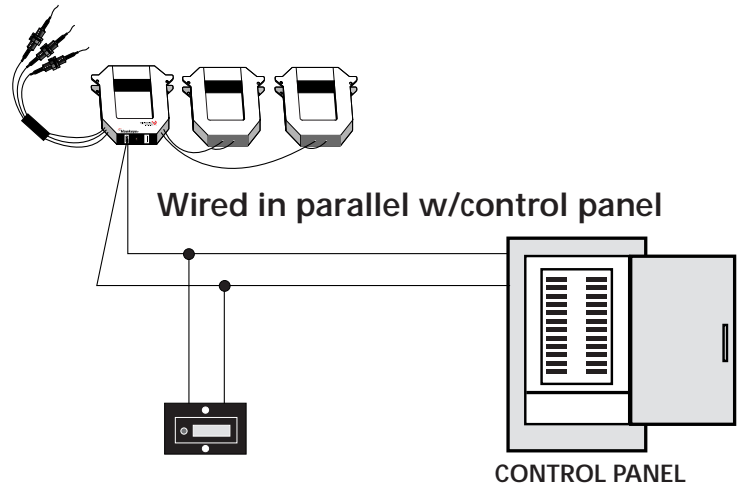
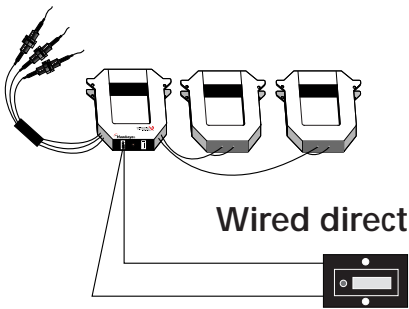
Multiple housings available

- Multiple styles to choose from provide maximum application flexibility

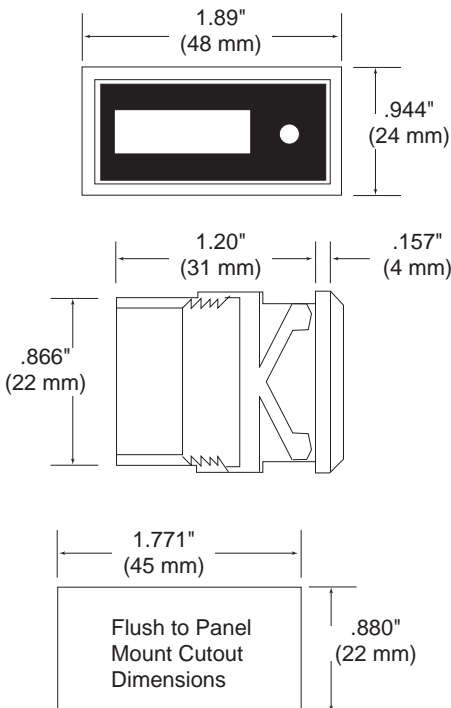
DESCRIPTION

The H805X-KAL1B series are pulse counting LCD's intended for direct connection to an H8050 series power meters.

APPLICATIONS



DIMENSIONS



SPECIFICATIONS

Contact Rating 100mA@24VDC
 Battery Powered Voltage Source 5VDC
 Input Impedance 10k Ohms

Ordering INFORMATION

MODEL	STYLE
H805X-KAL1B	Flush to panel mount
H805X-KAL1B2X	2X box single LCD
H805X-KAL1B2X2	2X box double LCD

ENERCEPT ACCESSORIES