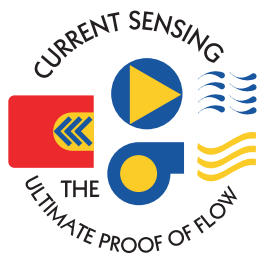


Hawkeye® 822-10/822-20

**Solid-Core
0-5VDC Output
Self-Powered**



Maximize Reliability,
Minimize Installed Cost

No More Wrapping! Designed specifically to handle low current loads and reduce the need to make multiple passes with the conductor, the self-powered **Hawkeye 822** provides accurate load trending information in factory calibrated 0-10 or 0-20Amp models. The output is an 0-5VDC analog signal proportional to the input current (see graphs).

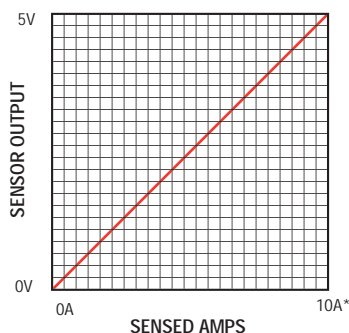
APPLICATIONS

- Load trending
- Motor control

Self-powered analog current sensor

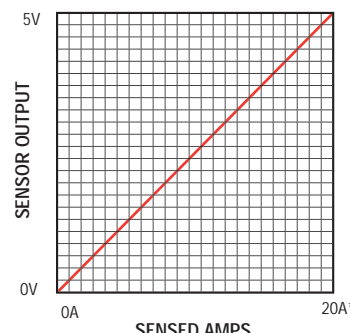
- Reduces the number of installed components...saves time and space
- No jumpers on unit...reduces installation errors
- No external power required for sensor
- Adjustable mounting bracket for installation flexibility
- 5 year limited warranty
- Made in USA

H822-10 LINEAR OUTPUT
Scale software as shown



*Factory Calibrated Range

H822-20 LINEAR OUTPUT
Scale software as shown



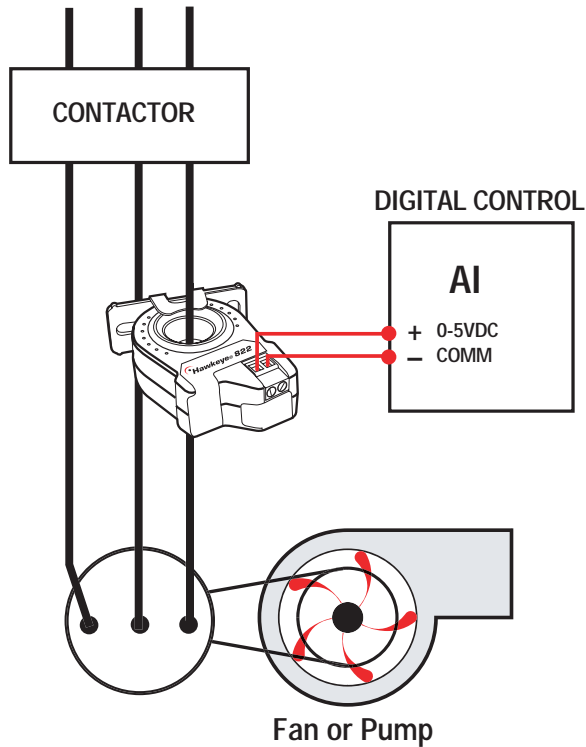
*Factory Calibrated Range



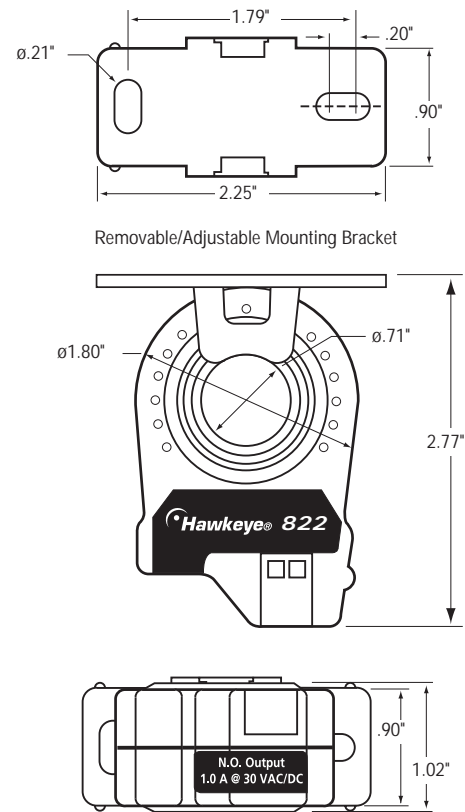
ORDERING INFORMATION

MODEL	AMPERAGE RANGE	OUTPUT
H822-10	10 Amp	0-5VDC
H822-20	20 Amp	0-5VDC

APPLICATIONS/WIRING EXAMPLE



DIMENSIONAL DRAWINGS



SPECIFICATIONS

Amperage Range	See ordering table
Output	0-5VDC Self-powered
Insulation Class	600VAC rms
Frequency Range	60Hz. nominal
Temperature Range	-15° to 60°C
Humidity Range	0-95% non-condensing
Accuracy	±2% of reading from 10% to 100% of full scale
Response Time	2 sec.
Dimensions (H822)...(L x W x H)	2.77" x 1.80" x 1.02"
Sensor Hole Size	0.71" Diameter