

SINGLE MOTOR AUTOMATIC TRANSFER SWITCH

Description

The Lake Shore Electric Corporation Single Motor Automatic Transfer Switch provides dependable, positive transfer to an emergency power source in the event of failure of the normal power source. The switch returns the system to the normal power source in an orderly fashion when normal power is restored. In the event that the emergency source fails, the switch will automatically return to the normal source, when it becomes available, bypassing all time delays.

U.L. 1008 Listed (File No. E32008) and CSA approved as suitable for use in emergency systems, these transfer switches are rated for application 100 to 1200 amperes, 600 volts AC or 150 volts DC.

Withstand ratings are very important for Automatic Transfer Switches. These transfer switches are available with standard, high or very high withstand ratings. Withstand ratings are at the terminals of the transfer switch without regard to or dependence on specific upstream protection. Please see the reverse side of this bulletin to select the switch which best suits your application.

Features

The Single Motor Automatic Transfer Switch can be used in a wide variety of applications. It transfers the load from one source to the other in less than 100 milliseconds. In many applications this rapid transfer time is necessary so that load will not be lost.

A gear motor friction drive operates the transfer switch. This tried method of switch operation has been the cornerstone of our products and has proven to be outstandingly reliable. Maintenance is minimal since the gear motors are permanently lubricated and sealed.

Electrical and mechanical interlocks prevent switching devices from applying power to the load inappropriately.

Safe manual operation of the transfer switch, under load, is a basic capability that all transfer switches should offer. We are proud that all of our switches are manually operable, under load, without danger to the operator or damage to connected equipment. Manual operating handles are permanently installed to facilitate testing and maintenance.

Thermal magnetic or electronic trips for short circuit and overload protection can be provided in the normal, emergency or both sides of the switch.

Controls can be specified at time of order. We offer either the traditional rugged industrial grade electro-mechanical controls, which have traditionally been included in our switches, or the MP7600 microprocessor based control, which is a robust, straightforward and highly dependable controller.



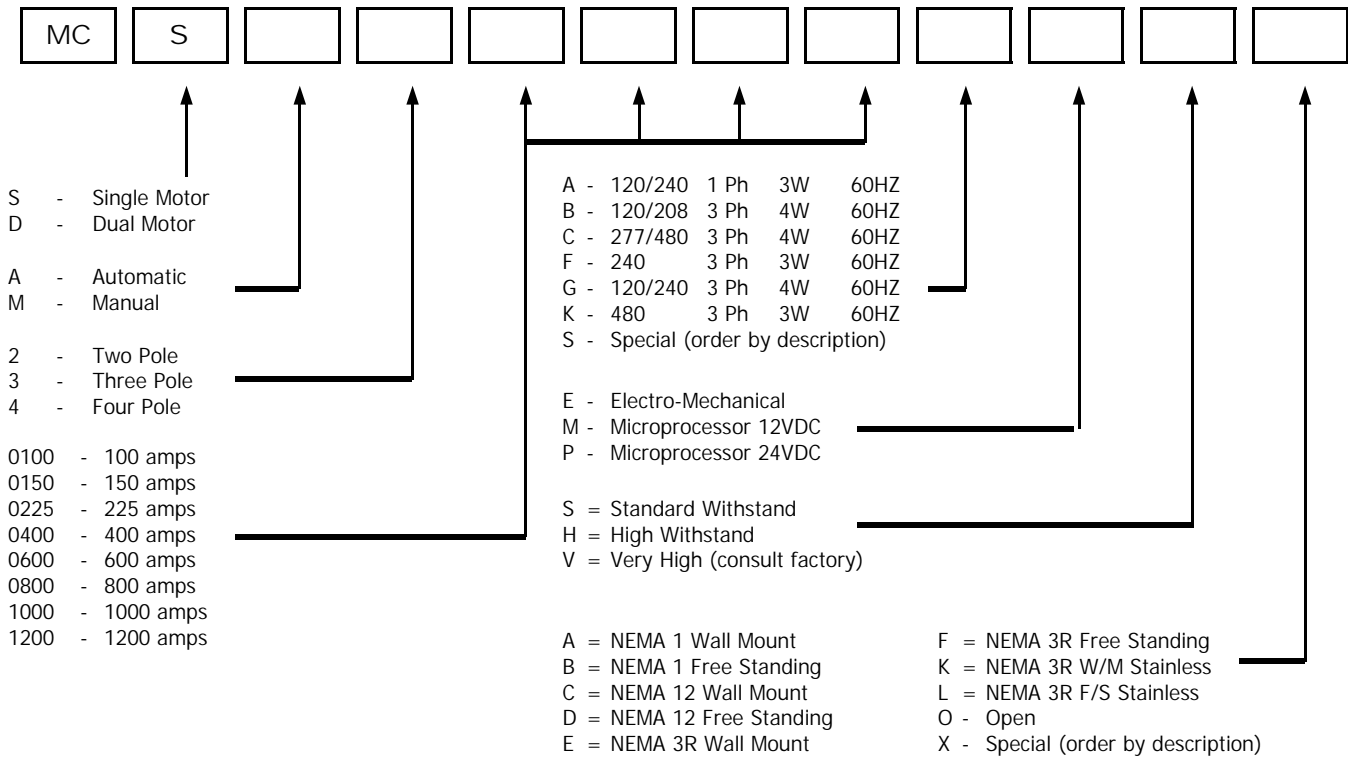
LAKE SHORE ELECTRIC CORPORATION

205 WILLIS STREET • BEDFORD, OHIO 44146

(440) 232-0200 • FAX (440) 232-5644

www.lake-shore-electric.com • sales@lake-shore-electric.com

ORDERING INFORMATION



| DIMENSIONS | | | | | LUG / CONNECTION DATA | | |
|----------------------------|------|----|----|----|-----------------------|------------------|------------------|
| Current Rating | Type | H | W | D | Current Rating | Standard Lug | Optional Lug |
| (all dimensions in inches) | | | | | | | |
| 100 - 150 amps | W/M | 36 | 28 | 15 | 100 amperes | (1) #14 - 1/0 | (1) #14 - 4/0 |
| 225 - 400 amps | W/M | 48 | 27 | 18 | 150 amperes | (1) #14 - 4/0 | (1) #6 - 300MCM |
| 600 amps | W/M | 60 | 37 | 18 | 225 amperes | (1) #14 - 4/0 | (1) #6 - 300MCM |
| 800 - 1200 amps | W/M | 72 | 37 | 18 | 400 amperes | (2) 3/0 - 250MCM | (1) 2/0 - 500MCM |
| | | | | | 600 ampere | (2) 3/0 - 350MCM | (2) 400 - 500MCM |
| 100 - 400 amps | F/S | 72 | 28 | 20 | 800 ampere | (3) 3/0 - 400MCM | (4) 4/0 - 500MCM |
| 600 - 1200 amps | F/S | 84 | 37 | 20 | 1000 ampere | (3) 3/0 - 400MCM | (4) 4/0 - 500MCM |
| | | | | | 1200 ampere | (4) 4/0 - 500MCM | (3) 500 - 750MCM |

