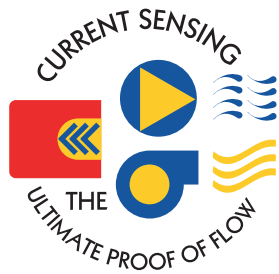


Hawkeye® 600/800

**Mini Solid & Split-Core
Fixed Setpoint
Digital Output**



Maximize Reliability,
Minimize Installed Cost

The Hawkeye 600/800 Series go/no current switches provide a cost-effective solution for monitoring status on unit vents, exhaust fans, recirculation pumps and other fixed loads where belt loss is not a concern.

APPLICATIONS

- Monitoring on/off status of electrical loads
- Monitoring direct drive units, exhaust fans and other fixed loads
- Verifying lighting run times

On/off status for direct-drive fans, pumps, and process motors

- More reliable for status than relays across auxiliary contacts
- Ideal for direct-drive units, unit vents, fan coil units, exhaust fans and other fixed loads
- Great for lighting status—less expensive than 277V relays
- Low 0.5A turn-on (H800), 0.75A (H600) . . . ideal for small exhaust fans (Not intended to detect belt loss)
- Mounting bracket provides installation flexibility

Monitor status of fans, pumps, motors & other electrical loads

- Split-core 600 for fast retrofit installation
- Mini solid-core 800 fits in tight enclosures
- 100% solid-state, no moving parts to fail
- Polarity insensitive output
- 5 year limited warranty
- Made in USA



LOW-COST STATUS!

ORDERING INFORMATION

See page 124 (H500) for Start/Stop & Status of fractional HP loads

MODEL	AMPERAGE RANGE	OUTPUT TYPE	OUTPUT RATING (MAX.)
Solid-Core			
H800	0.5 - 200A	N.O., Solid-state	1.0A@30VAC/DC
H800HV	0.75 - 200A	N.O., Solid-state	.5A@250VAC/DC
H800NC	0.5 - 200A	N.C., Solid-state	.1A@30VDC
Split-Core			
H600	0.75 - 200A*	N.O., Solid-state	1.0A@30VAC/DC

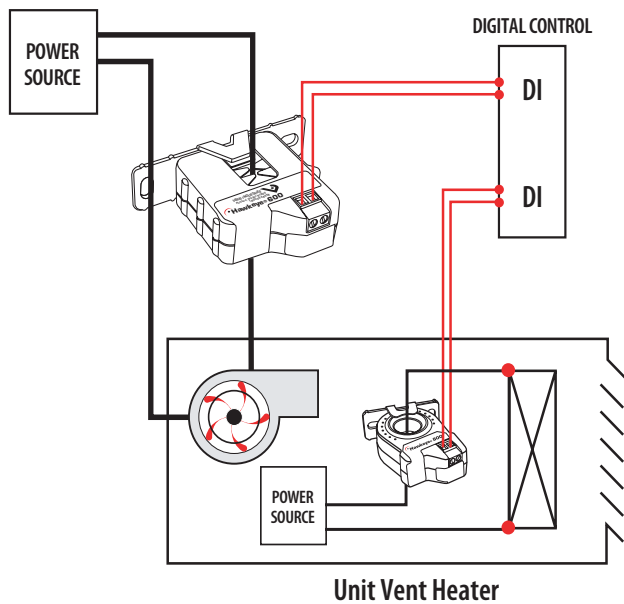
*See temperature specifications on next page

ACCESSORIES

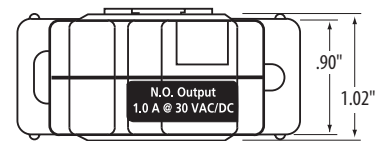
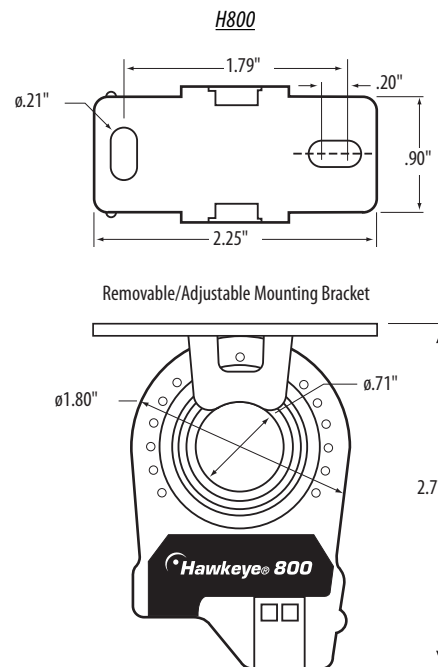
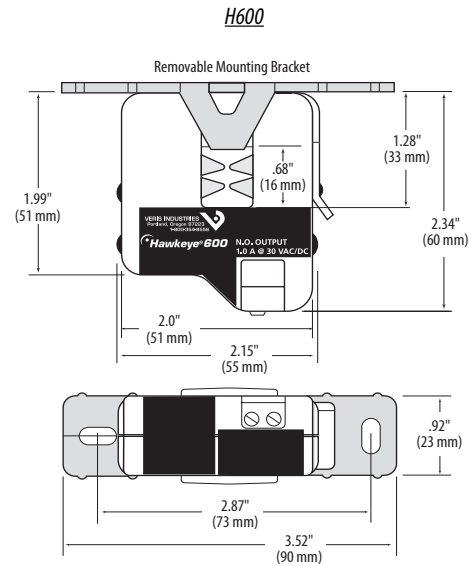
MODEL	DESCRIPTION
H700/900-DIN	DIN Rail Clip Set compatible with all split-core models



APPLICATIONS/WIRING EXAMPLE



DIMENSIONAL DRAWINGS



SPECIFICATIONS

Amperage Range	Fixed 0.5 to 200A (H800), 0.75 to 200A* (H600)
Sensor Power	Induced
Output	Digital switch (see ordering table)
Insulation Class	600VAC rms
Frequency Range	50/60Hz.
Temperature Range	(H800) -15° to 60°C. Use min. 75°C insulated conductor (H600) -15° to 40°C (151-200A); -15° to 60°C (0-150A)
Humidity Range	0 - 95% non-condensing
Trip Setpoint	Fixed 0.5A (H800), 0.75A (H600)
Hysteresis	10% typical
Dimensions (H600) ... (L x W x H)	(2.34" x 2.0" x .92")
Sensor Hole Size (H600) ... (L x W)	.52" x .68"
Dimensions (H800) ... (L x W x H)	2.77" x 1.80" x 1.02"
Sensor Hole Size (H800)	0.71" diameter

* See Temperature Specifications